

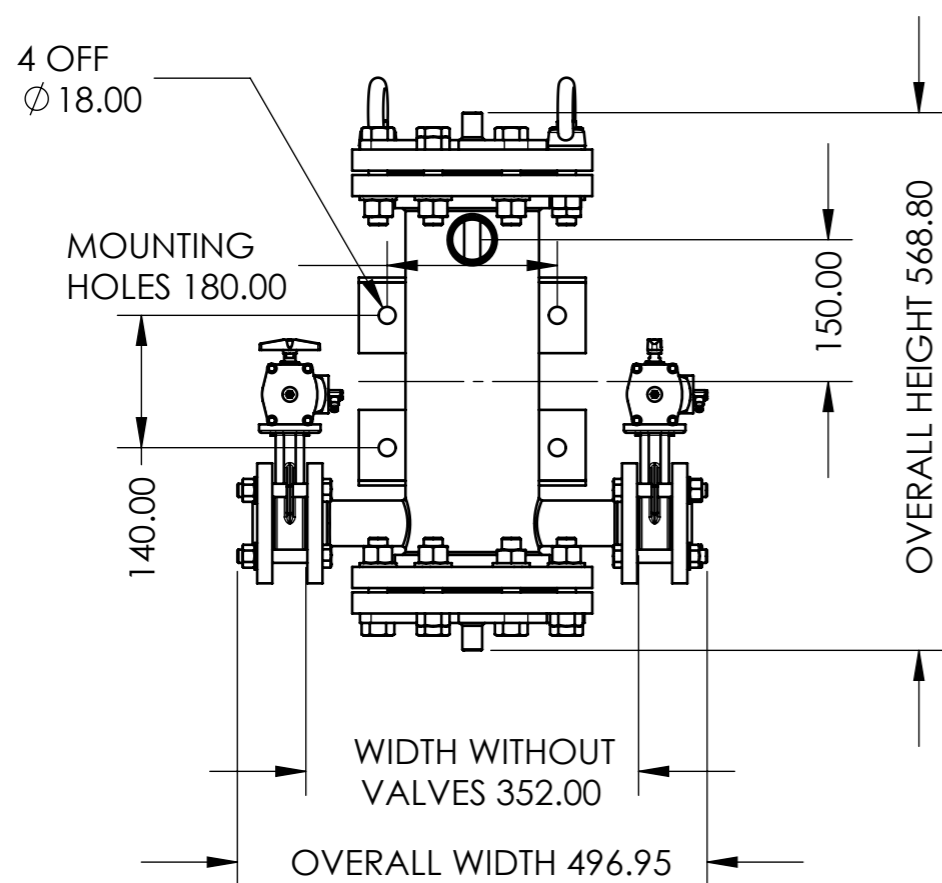
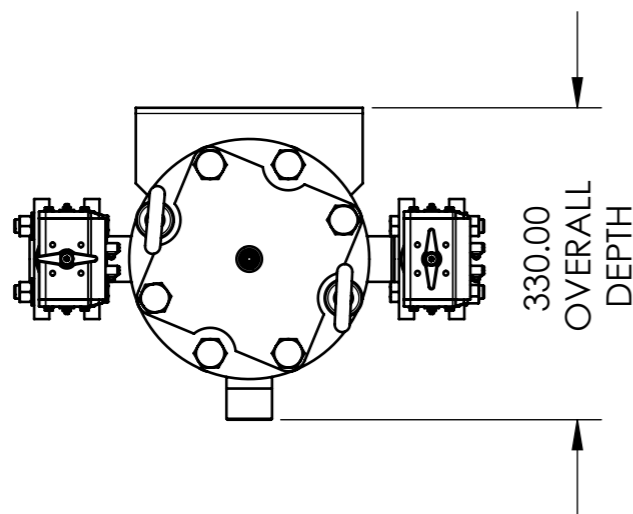
MACHINING LIMITS TO
BE ± .025mm UNLESS
OTHERWISE STATED

ISSUE NO.	1	2	3	4	5	6			
DATE	12 JUN 05	26 JUL 05	19 JAN 06	23 MAY 06	07 NOV 07	25 FEB 08			

THIRD ANGLE PROJECTION

ISSUE CONTROL NOTES

- ISSUE 1 ORIGINAL
- ISSUE 2 EXTRA BOTTOM PORT ADDED
- ISSUE 3 INLET CONNECTION CHANGED TO THREADED
- ISSUE 4 BRACKET DIMENSIONS ADDED
- ISSUE 5 THREADED CONNECTIONS ADDED
- ISSUE 6 BRACKET LENGTH REDUCED TO SUIT MANIFOLD CHANNEL



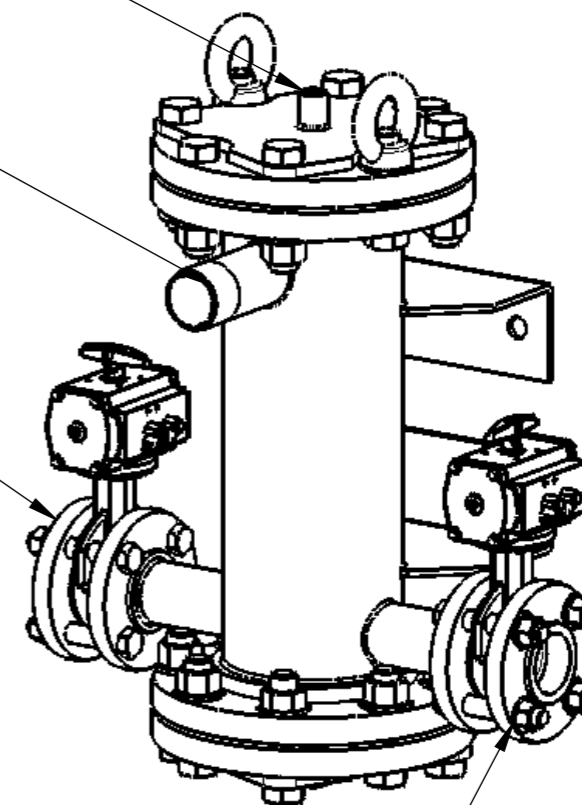
COMPRESSED AIR
CONNECTION 1/4" BSP/NPT
FEMALE BOTH ENDS

INLET CONNECTION
1 1/2" MALE THREAD

DISCHARGE CONNECTION
1 1/2" FEMALE THREAD
ANSI 150 FLANGE

DISCHARGE AND PURGE
CONNECTIONS ARE
INTERCHANGEABLE

PURGE CONNECTION
1 1/2" FEMALE THREAD
ANSI 150 FLANGE



ALL DIMENSIONS ARE IN INCHES [MILLIMETERS]



TITLE **7 CORE AUTOMATIC MAGNETIC SEPARATOR
GENERAL LAYOUT**

MATL:	DRAWN:	WFSH
SPECN:	CHECKED:	WFSH
No OFF:	DATE:	

75 GPM