

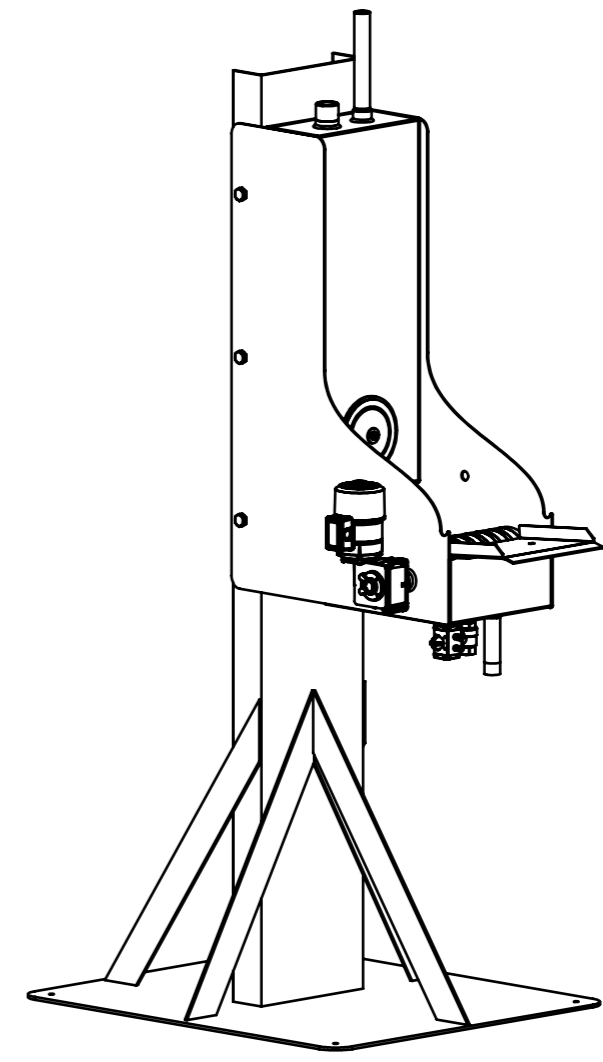
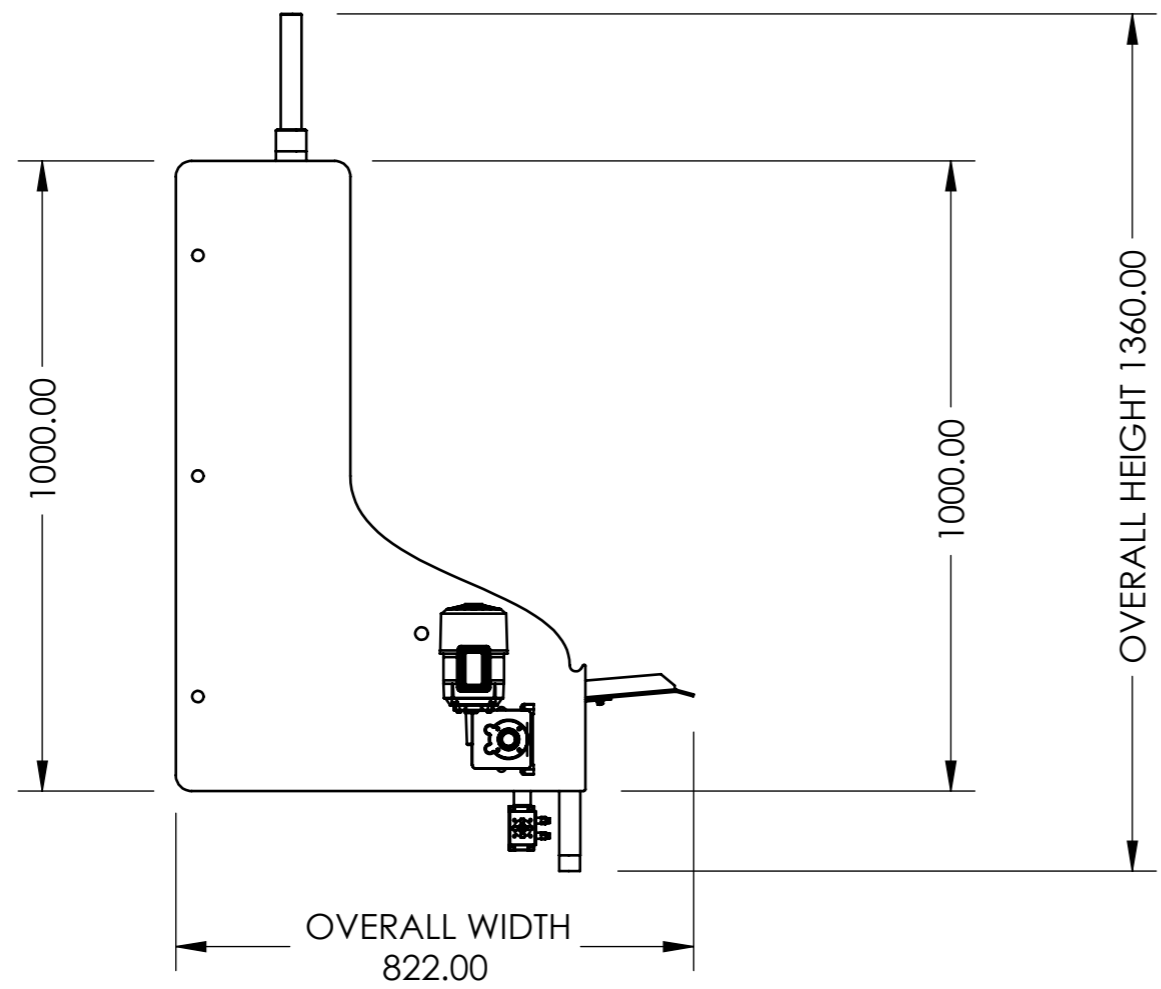
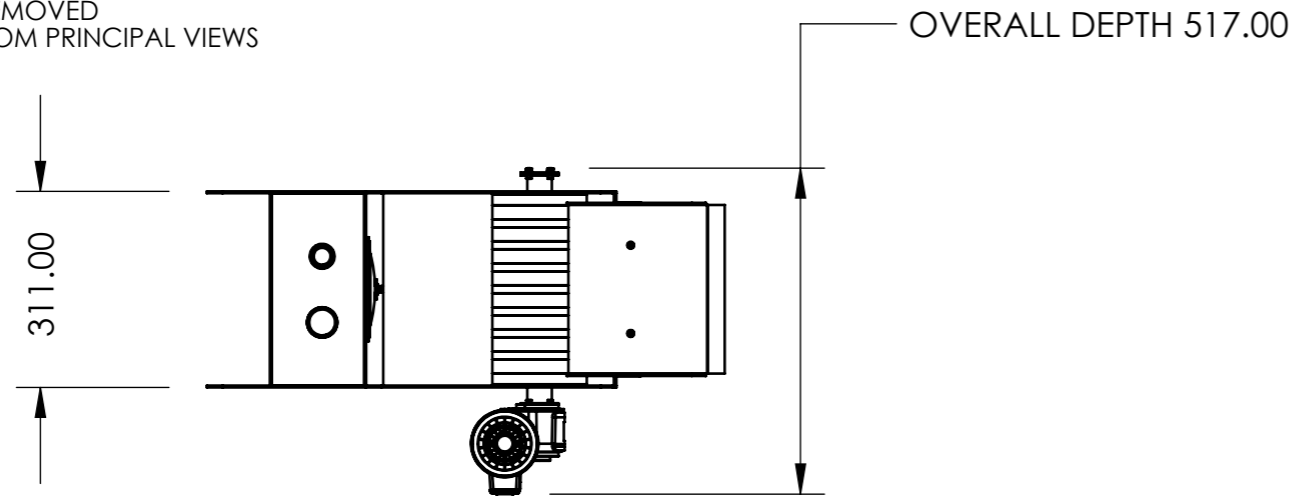
MACHINING LIMITS TO  
BE ± .10mm UNLESS  
OTHERWISE STATED

ISSUE NO.	1	2	3						
DATE	29 MAR 09	08 APR 09	01 JUL 09						

**THIRD ANGLE PROJECTION**

ISSUE CONTROL NOTES:

- ISSUE 1 ORIGINAL
- ISSUE 2 DISCHARGE DUCT REMOVED
- ISSUE 3 STAND REMOVED FROM PRINCIPAL VIEWS



**TYPICAL STAND ARRANGEMENT  
AVAILABLE AS ADDITIONAL  
ITEMON REQUEST**

**FOOTPRINT 950 x 820 WITH 4 OFF M10  
HOLES FOR FLOOR MOUNTING**

**TYPICAL HEIGHT APPROX 2000**

ALL DIMENSIONS ARE IN MILLIMETERS [INCHES]



TITLE **D-DRUM MAGNETIC SEPARATOR  
GENERAL ARRANGEMENT**

MATL: CARBON STEEL	DRAWN: WFSH
SPECN:	CHECKED: WFSH
No OFF:	DATE: 29 MAR 09