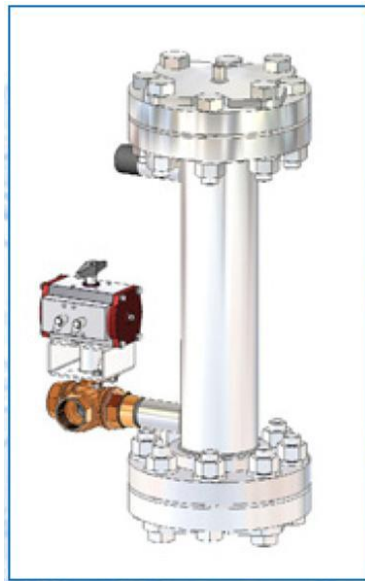




# Magnetic Filtration

The K-MAG is a patented IN-LINE self cleaning filter that is fully automatic; the K-MAG efficiently removes ferrous particles at 1 to 3 microns. Recent applications include:

- Sealer
- Honing
- Grinding
- Gun drilling
- Machining
- CNC machining



- Engine block drilling
- Remove weld balls
- Removal of metals from waste lines
- Parts quality
- Food Industry pipelines
- Parts washing

K-Factor magnetic filters can be arranged in a manifold to increase flow to any capacity.



# Purging Options

## Option 1: Purge to Drain Option: (Minor Liquid Loss)

- Purge duration is adjustable: 2 seconds to 40 seconds.
- Typical range is 4 to 6 seconds.
- Purge duration is typically increased as the solids load increases.
- Purge duration is adjusted based upon site specifics.
- 

### Liquid Loss Schedule:

- 2 second purge @ 35 gpm = 1.2 gallons/purge
- 3 second purge @ 35 gpm = 1.8 gallons/purge
- 4 second purge @ 35 gpm = 2.2 gallons/purge
- 5 second purge @ 35 gpm = 2.9 gallons/purge
- 6 second purge @ 35 gpm = 3.5 gallons/purge

## Option 2: Purge to Recovery System Option: (No Liquid Loss)

The recovery vessel builds a cake of waste recycling fluids to the system.

- Saves money on disposal costs
- Fully Automatic
- Environmentally friendly
- 

## Option 3: Purge to Bag filter Option: (No liquid Loss)

An inexpensive option to enhance filtering of small particles and other debris down to 1 micron.

- Low maintenance.

## OPTIONS FOR MAGNETIC SEPARATION

General Drawings [Download](#)

Principal Components [Download](#)



## MORE INFORMATION

[How It Works](#)

[Features And Benefits](#)

[Case Study 1](#)

For more information on how K-Factor filtration systems can enhance your process, provide us [your requirements](#) and we will respond within two business days.

If you have any questions or would like to access current information about K-Factor Filter installations kindly review our [blog](#). There is no obligation and we appreciate any questions or comments you care to share.

