

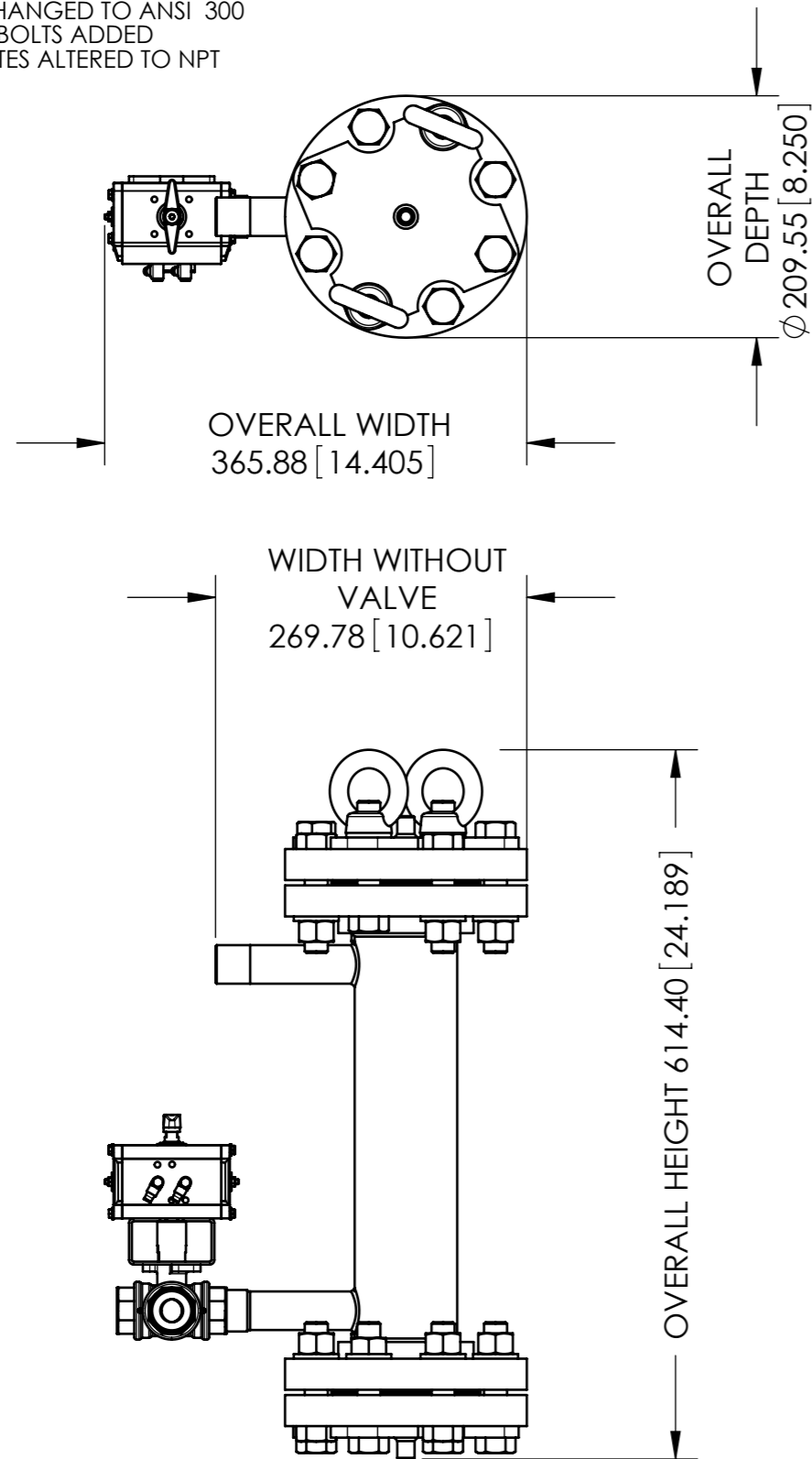
MACHINING LIMITS TO  
BE ± .025mm UNLESS  
OTHERWISE STATED

ISSUE NO.	1	2	3	4	5	6			
DATE	08 FEB 05	27 JUL 05	21 SEP 05	24 FEB 06	24 MAY 06	13 NOV 07			

**THIRD ANGLE PROJECTION**

ISSUE CONTROL NOTES

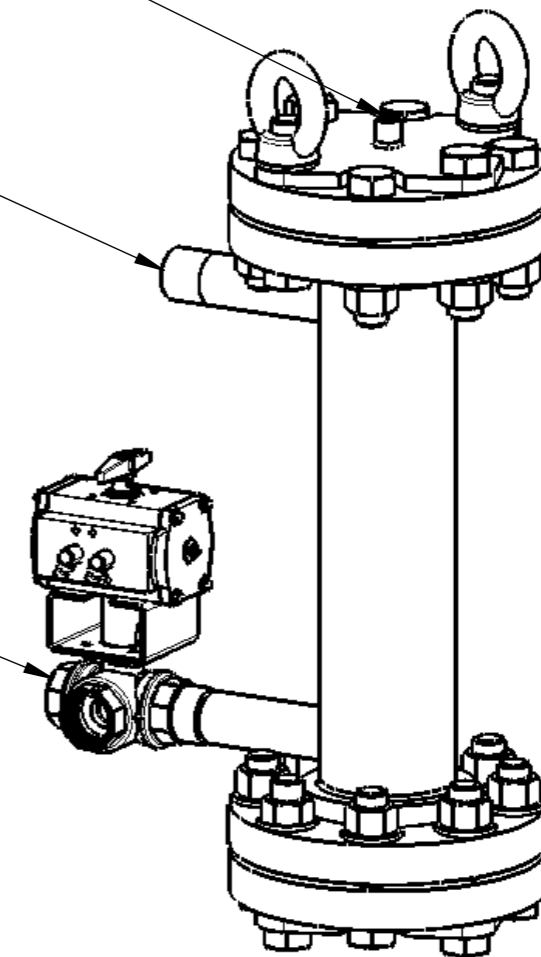
- ISSUE 1 ORIGINAL
- ISSUE 2 FITTINGS REMOVED
- ISSUE 3 AIR FITTING CHANGED TO 1/4" BSP/NPT
- ISSUE 4 FLANGES CHANGED TO ANSI 300
- ISSUE 5 LIFTING EYE BOLTS ADDED
- ISSUE 6 THREAD NOTES ALTERED TO NPT



COMPRESSED AIR  
CONNECTION 1/4" NPT  
BOTH ENDS

1" NPT THREADED  
INLET CONNECTION  
MALE

1" NPT THREADED  
DISCHARGE AND  
PURGE CONNECTIONS  
MALE



ALL DIMENSIONS ARE IN INCHES [MILLIMETERS]



TITLE **3 CORE FLANGED VERSION  
AUTOMATIC MAGNETIC SEPARATOR  
GENERAL LAYOUT**

MATL:	ST STEEL 316L	DRAWN:	WFSH
SPECN:		CHECKED:	WFSH
No OFF:		DATE:	08 FEB 05

**35 GPM**