

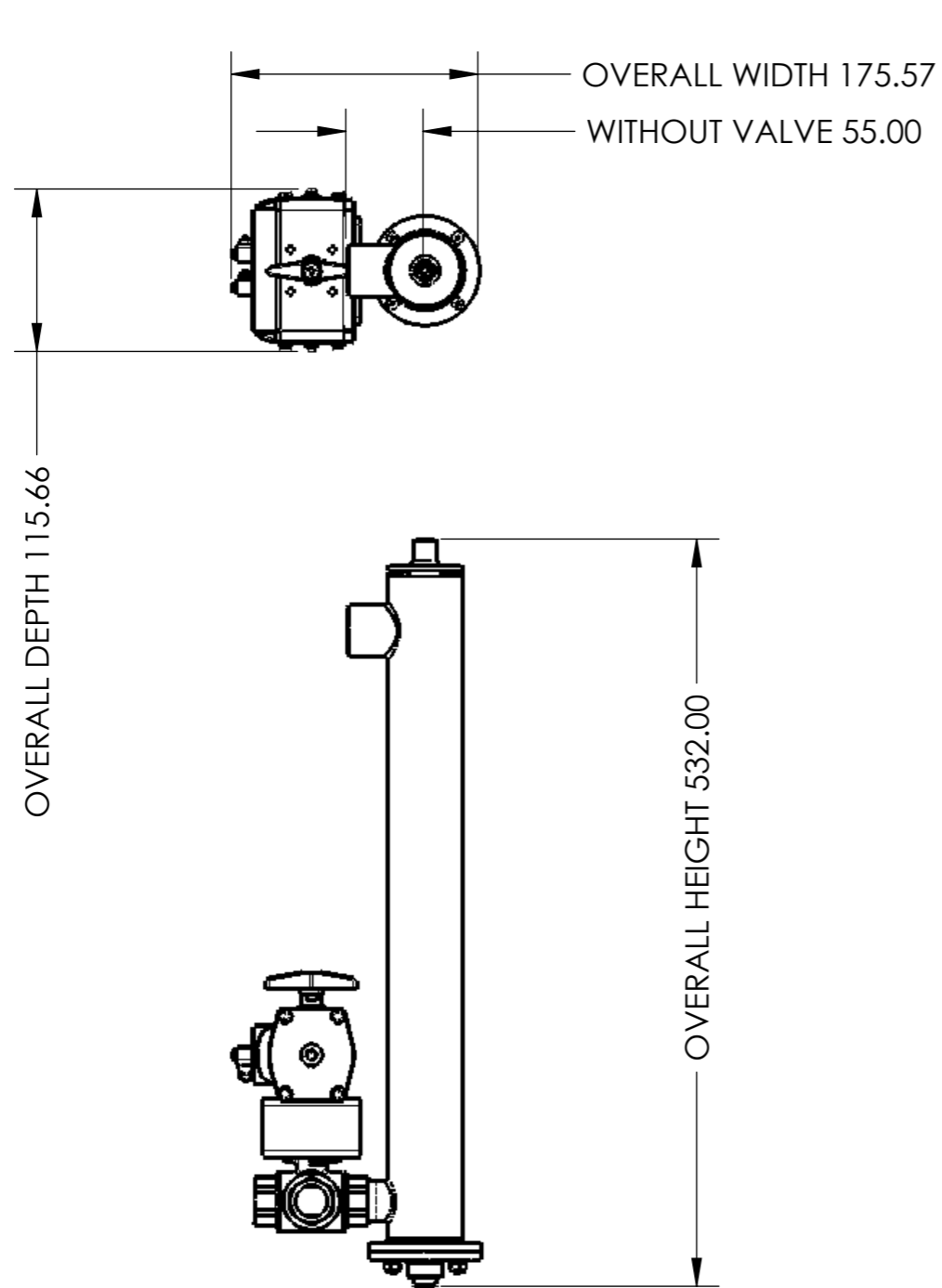
MACHINING LIMITS TO
BE ± .025mm UNLESS
OTHERWISE STATED

ISSUE NO.	1	2	3	4	5				
DATE	21 JUL 04	17 JUL 05	24 JUL 05	15 AUG 05	07 MAR 06				

THIRD ANGLE PROJECTION

ISSUE CONTROL NOTES

- ISSUE 1 ORIGINAL
- ISSUE 2 AIR FITTINGS ADDED
CONNECTIONS CHANGED TO FEMALE
- ISSUE 3 CONNECTIONS & ORIENTATION CHANGED
- ISSUE 4 HEIGHT CHANGED DUE TO 1/8" SOCKET
- ISSUE 5 VALVE ADDED

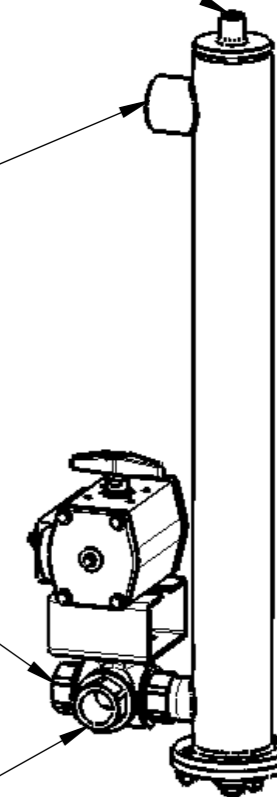


COMPRESSED AIR
CONNECTION
1/8 FNPT BOTH ENDS

INLET CONNECTION
3/4" FEMALE NPT/BSP

DISCHARGE
CONNECTION
3/4" FEMALE NPT/BSP

PURGE CONNECTION
3/4" FEMALE NPT/BSP



ALL DIMENSIONS ARE IN INCHES [MILLIMETERS]



TITLE **2" SINGLE CORE MAGNETIC SEPARATOR
GENERAL ASSEMBLY**

MATL:	SS316L	DRAWN:	WFSH
SPECN:		CHECKED:	WFSH
No OFF:		DATE:	21 JUL 04

12 GPM