

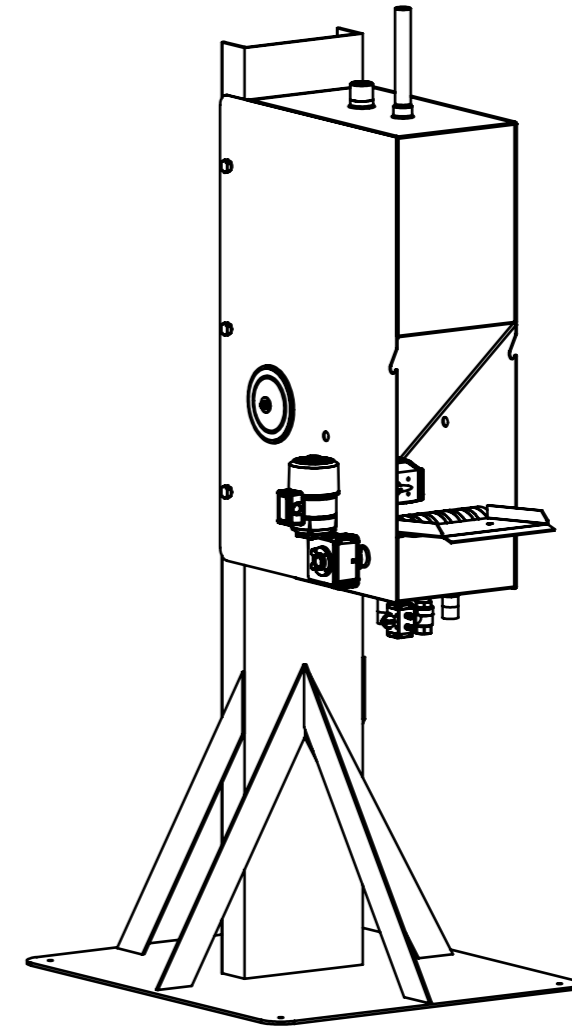
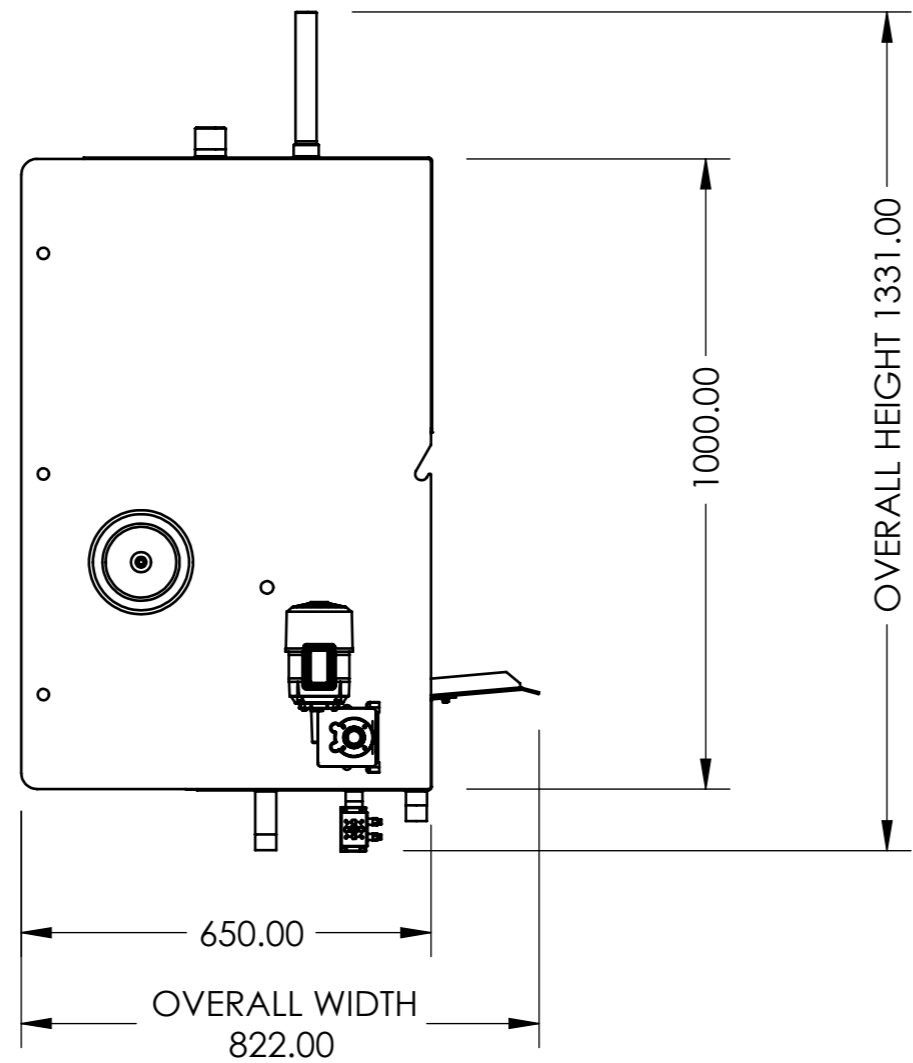
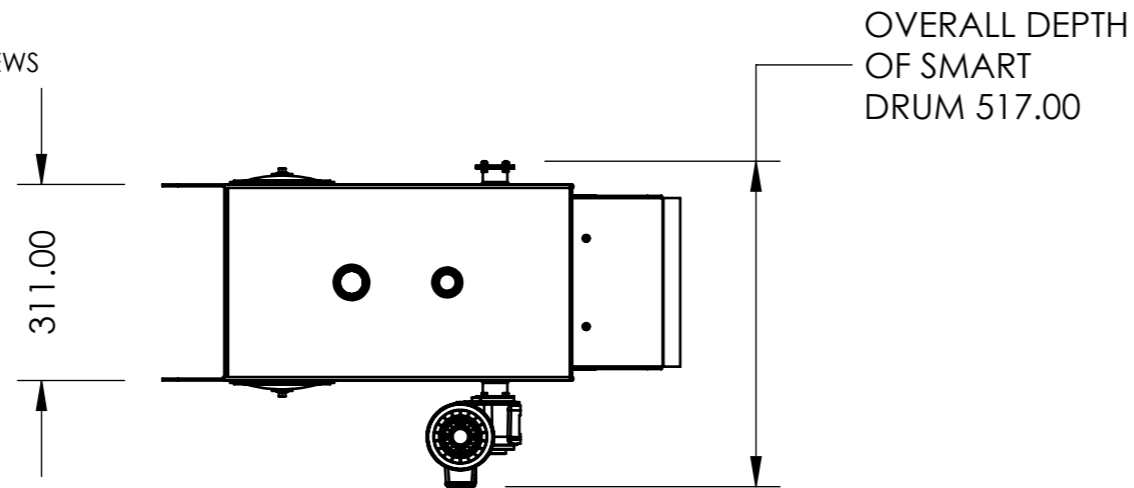
MACHINING LIMITS TO
BE ± .10mm UNLESS
OTHERWISE STATED

ISSUE NO.	1	2	3						
DATE	04 JUL 08	24 FEB 09	28 JUN 09						

THIRD ANGLE PROJECTION

ISSUE CONTROL NOTES:

- ISSUE 1 ORIGINAL
- ISSUE 2 DRAWING TITLE CHANGED
PAN PLATE DISCONTINUED
- ISSUE 3 STAND REMOVED FROM PRINCIPAL VIEWS



**TYPICAL STAND ARRANGEMENT
AVAILABLE AS ADDITIONAL
ITEM ON REQUEST.**

**FOOTPRINT 950 x 820 WITH 4 OFF M10
HOLES FOR FLOOR MOUNTING**

TYPICAL HEIGHT APPROX 2000

ALL DIMENSIONS ARE IN MILLIMETERS [INCHES]



TITLE **SMART DRUM MAGNETIC SEPARATOR
GENERAL ARRANGEMENT**

MATL:	DRAWN:	WFSH
SPECN:	CHECKED:	WFSH
No OFF:	DATE:	04 JUL 08

No 10330

SHEET 11