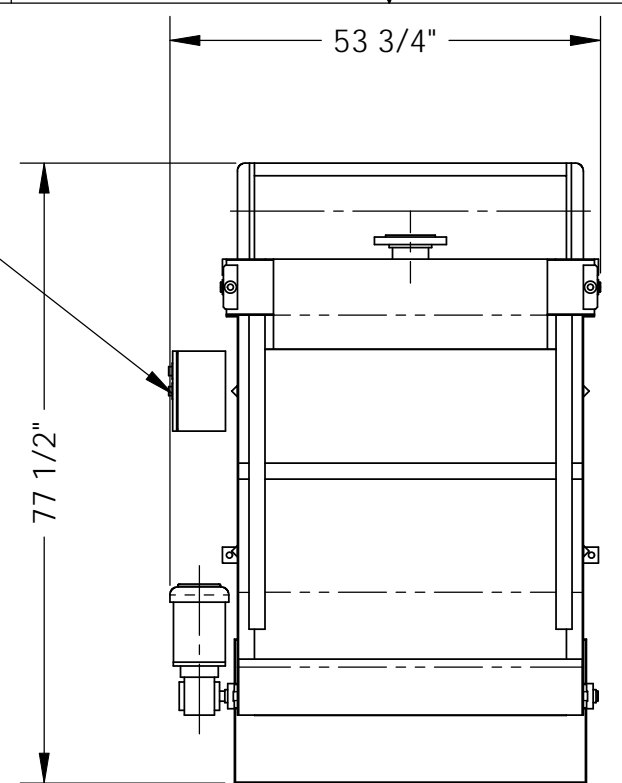


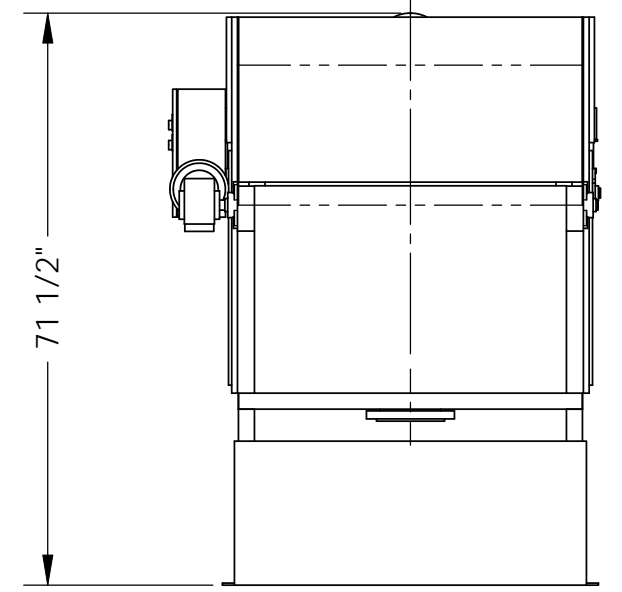
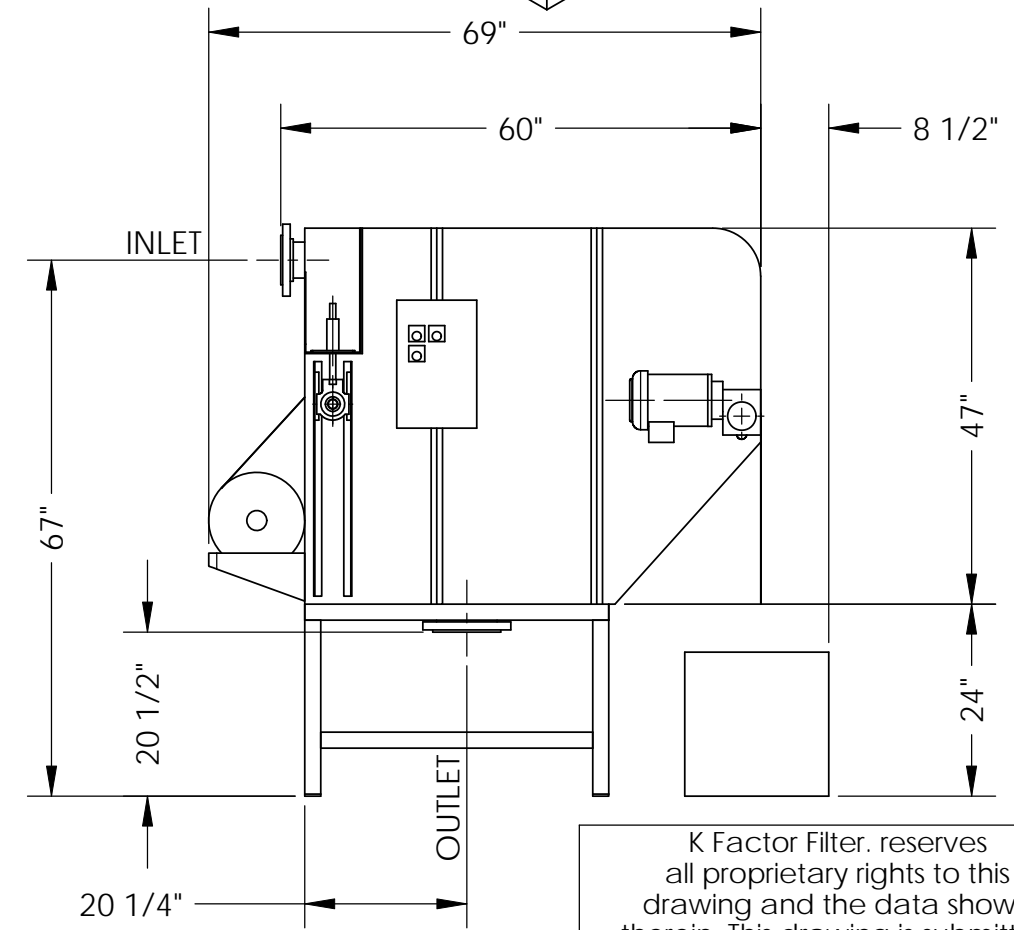
ELECTRICAL CONTROL



SPECIFICATIONS

- FLOW:-** 400 US GPM
- MICRON:-** 25 MICRON
- INLET SIZE:-** 4" 150# ANSI FLANGE
- OUTLET SIZE:-** 6" 150# ANSI FLANGE
- ELECTRICAL CONNECTION:-** 110VAC 1PH 60Hz
- CONSTRUCTION MATERIALS.**

- HOUSING:-** CARBON STEEL
- WHEELS:-** ALUMINUM
- SEALS:-** BUNA
- BELTING:-** 304 STAINLESS STEEL
- MEDIA BIN:-** (OPTIONAL) CARBON STEEL
- STAND:-** (OPTIONAL) CARBON STEEL



K Factor Filter. reserves all proprietary rights to this drawing and the data shown therein. This drawing is submitted in confidence and must not be used or reproduced without prior written consent or permission.

THIRD ANGLE PROJECTION

DO NOT SCALE DRAWING

TOLERANCES
 UNLESS OTHERWISE NOTED
 DECIMALS 2 PLACE ±0.015
 DECIMALS 3 PLACE ±0.005
 DECIMALS 4 PLACE ±0.0005
 FRACTIONAL ±1/32
 ANGLES ±1°
 DIM IN [] ARE mm REF.
 DEBURR ALL PARTS AND
 BREAK SHARP EDGES

DRAWN	JFC DESIGNS	NOV 2009
CHECKED	JOHN COUSINS	-
Q.A.	-	-
MFG.	-	-
APPROVAL	-	-
IF IN DOUBT-ASK		

TITLE: KW-400			
MATERIAL:- FINISH:-			
SIZE	MASS	DWG. NO.	REV
B	LBS	KW-400A01	A
SCALE: 1:24		SHEET 1 OF 1	